

HEAT PUMP REMOTE CONTROLLER ILLUSTRATION



The design and specifications are subject to change without prior notice for product improvement. Consult with the sales agency or manufacturer for details.

Thank you very much for purchasing our heat pump.
Please read this owner's manual carefully before using your heat pump.

CONTENTS

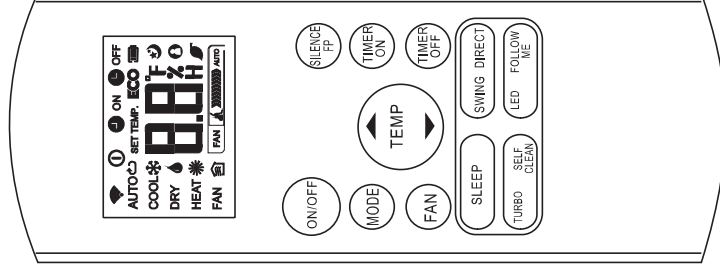
Remote controller Specifications.....	2
Operation buttons	3
Indicators on LCD	6
How to use the buttons	7
Auto operation.....	7
Cooling/Heating/Fan operation.....	7
Dehumidifying operation	8
Timer operation.....	9
Handling the remote controller	13

NOTE:

- Buttons design is based on typical model and might be slightly different from the actual one you purchased, the actual shape shall prevail.
- All the functions described are accomplished by the unit. If the unit has no this feature, there is no corresponding operation happened when press the relative button on the remote controller.
- When there are wide differences between “Remote controller Illustration” and “USER’S MANUAL” on function description, the description of “USER’S MANUAL” shall prevail.

Remote Controller Specifications

Model	RC57A6/BGFEU1
Rated Voltage	3.0V(Dry batteries R03/LR03×2)
Signal Receiving Range	8m
Environment	23°F~140°F



Operation of buttons

- ON/OFF Button**
This button turns the air conditioner ON and OFF.

- MODE Button**
Press this button to modify the air conditioner mode in a sequence of following:

AUTO → COOL → DRY → HEAT → FAN

NOTE: Please do not select HEAT mode if the machine you purchased is cooling only type. Heat mode is not supported by the cooling only appliance.

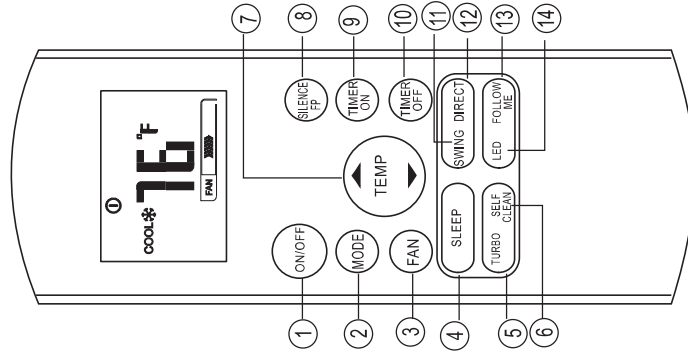
- FAN Button**
Used to select the fan speed in four steps:
AUTO → LOW → MED → HIGH

NOTE: You can not switch the fan speed in AUTO or DRY mode.

- SLEEP Button**
 - Active/Disable sleep function. It can maintain the most comfortable temperature and save energy. This function is available on COOL, HEAT or AUTO mode only.
 - For the detail, see "sleep operation" in "USER'S MANUAL".
- TURBO Button**
NOTE: While the unit is running under SLEEP mode, it would be cancelled if MODE, FAN SPEED or ON/OFF button is pressed.

- TURBO Button**
Active/Disable Turbo function. Turbo function enables the unit to reach the preset temperature at cooling or heating operation in the shortest time (if the indoor unit does not support this function, there is no corresponding operation happened when pressing this button.)

- SELF CLEAN Button**
Active/Disable Self Clean function. Under SELF CLEAN mode, the air conditioner will automatically clean and dry the Evaporator and keep it as fresh for the next operation.



- UP Button** (▲)
Push this button to increase the indoor temperature setting in 1°F increments to 86°F.

temperature setting in 1°F increments to 86°F.

- DOWN Button** (▼)

Push this button to decrease the indoor temperature setting in 1°F increments to 62°F.
NOTE: Temperature control is not available in Fan mode.

NOTE: Press and hold UP and DOWN buttons together for 3 seconds will alternate the temperature display between the °C & °F scale.

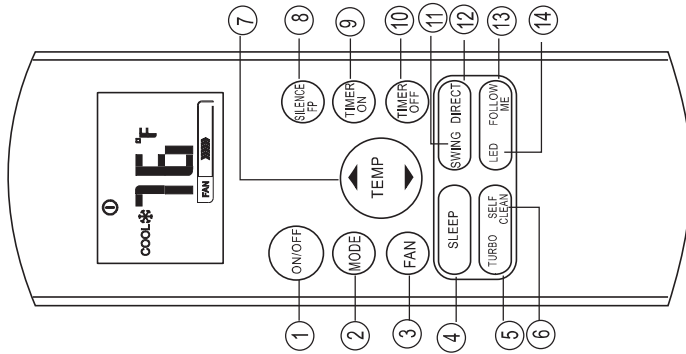
- SILENCE/FP Button**

- Active/Disable SILENCE function. If pushing more than 2 seconds, the 'FP' function will be activated, pushing more than 2 seconds again to disable.
- When the Silence function is activated, the compressor will operate at low frequency and the indoor unit will bring faint breeze, which will reduce the noise to the lowest level and create a quiet and comfortable room for you. Due to low frequency operation of compressor, it may result in insufficient cooling and heating capacity.
- The 'FP' function can only be activated during the heating operation (only when the setting mode is HEAT). The unit will operate at a setting temperature of 46°F. The display window of indoor unit will display 'FP'. Press the buttons of ON/OFF, SLEEP, FP, MODE, FAN SPEED, UP or DOWN while operating will cancel the 'FP' function.

- TIMER ON Button**

Press this button to initiate the auto-on time sequence. Each press will increase the auto-timed setting in 30 minutes increments. When the setting time displays 10.0, each press will increase the auto-timed setting 60 minutes increments. To cancel the auto-timed program, simply adjust the auto-on time to 0.0.

Operation of buttons

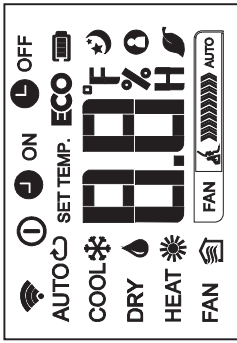


- ① **TIMER OFF Button**
Press this button to initiate the auto-off time sequence. Each press will increase the auto-timed setting in 30 minutes increments. When the setting time displays 10.0, each press will increase the auto-timed setting 60 minutes increments. To cancel the auto-timed program, simply adjust the auto-off time to 0.0
- ② **SWING Button**
Used to stop or start horizontal louver auto swing feature.
- ③ **DIRECT Button**
Used to change the louver movement and set the desired up/down air flow direction. The louver changes 6° in angle for each press.
- ④ **FOLLOW ME Button**
Push this button to initiate the Follow Me feature, the remote display is actual temperature at its location. The remote control will send this signal to the air conditioner every 3 minutes interval until the Follow Me button again. The air conditioner will cancel the Follow Me feature automatically if it does not receive the signal during any 7 minutes interval.
- ⑤ **LED Button**
Disable/Active indoor screen Display. When pushing the button, the indoor screen display is cleared, press it again to light the display.

5

Indicators on LCD

Information are displayed when the remote controller is powered up.



Mode display
AUTO COOL DRY
HEAT FAN

Displayed when data transmitted.

Displayed when remote controller is ON.

Battery display(low battery detection)

Not available for this unit

ON Displayed when TIMER ON time is set.

OFF Displayed when TIMER OFF time is set.

Show set temperature or room temperature, or time under TIMER setting.

Displayed in Sleep Mode operation.

Indicated that the air conditioner is operating in Follow me mode

Not available for this unit

Not available for this unit

Fan speed indication

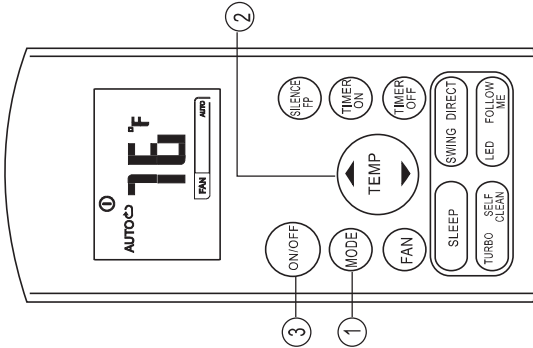
FAN	Low speed
FAN	Medium speed
FAN	High speed
FAN	Auto fan speed

Note:

All indicators shown in the figure are for the purpose of clear presentation. But during the actual operation only the relative functional signs are shown on the display window.

6

How to use the buttons



Auto operation

Ensure the unit is plugged in and power is available. The OPERATION indicator on the display panel of the indoor unit starts flashing.

1. Press the **MODE** button to select Auto.
2. Press the **UP/DOWN** buttons to set the desired temperature. The temperature can be set within a range of 62°F ~ 86°F in 1°F increments.
3. Press the **ON/OFF** button to start the air conditioner.

NOTE

1. In the Auto mode, the air conditioner can logically choose the mode of Cooling, Fan, and Heating by sensing the difference between the actual ambient room temperature and the setting temperature on the remote controller.
2. In the Auto mode, you can not switch the fan speed. It has already been automatically controlled.
3. If the Auto mode is not comfortable for you, the desired mode can be selected manually.

Cooling /Heating/Fan operation

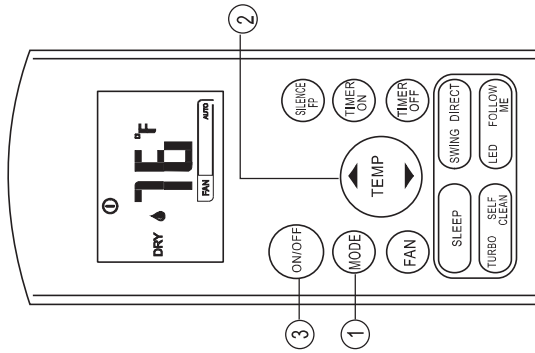
Ensure the unit is plugged in and power is available.

1. Press the **MODE** button to select COOL, HEAT (cooling & heating models only) or FAN mode.
2. Press the **UP/DOWN** buttons to set the desired temperature. The temperature can be set within a range of 62°F ~ 86°F in 1°F increments.
3. Press the **FAN** button to select the fan speed in four steps- Auto, Low, Med, or High.
4. Press the **ON/OFF** button to start the air conditioner.

NOTE

In the FAN mode, the setting temperature is not displayed in the remote controller and you are not able to control the room temperature either. In this case, only step 1, 3 and 4 may be performed.

How to use the buttons



Dehumidifying operation

Ensure the unit is plugged in and power is available. The OPERATION indicator on the display panel of the indoor unit starts flashing.

1. Press the **MODE** button to select DRY mode.
2. Press the **UP/DOWN** buttons to set the desired temperature. The temperature can be set within a range of 62°F ~ 86°F in 1°F increments.
3. Press the **ON/OFF** button to start the air conditioner.

NOTE

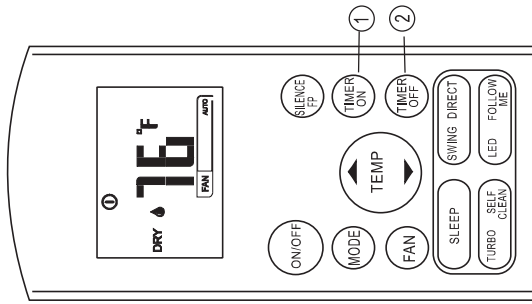
In the Dehumidifying mode, you can not switch the fan speed. It has already been automatically controlled.

Timer operation

Press the TIMER ON button can set the auto-on time of the unit. Press the TIMER OFF button can set the auto-off time of the unit.

To set the Auto-on time.

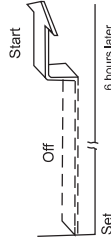
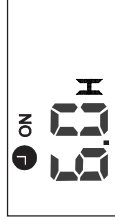
1. Press the TIMER ON button. The remote controller shows TIMER ON, the last Auto-on setting time and the signal "H" will be shown on the LCD display area. Now it is ready to reset the Auto-on time to START the operation.
2. Push the TIMER ON button again to set desired Auto-on time. Each time you press the button, the time increases by half an hour between 0 and 10 hours and by one hour between 10 and 24 hours.
3. After setting the TIMER ON, there will be a one second delay before the remote controller transmits the signal to the air conditioner. Then, after approximately another 2 seconds, the signal "H" will disappear and the set temperature will re-appear on the LCD display window.



CAUTION

- When you select the timer operation, the remote controller automatically transmits the timer signal to the indoor unit for the specified time. Therefore, keep the remote controller in a location where it can transmit the signal to the indoor unit properly.
- The effective operation time set by the remote controller for the timer function is limited to the following settings: 0.5, 1.0, 1.5, 2.0, 2.5, 3.0, 3.5, 4.0, 4.5, 5.0, 5.5, 6.0, 6.5, 7.0, 7.5, 8.0, 8.5, 9.0, 9.5, 10, 11, 12, 13, 14, 15, 16, 17, 18, 19, 20, 21, 22, 23 and 24.

Example of timer setting



TIMER ON (Auto-on Operation)

The TIMER ON feature is useful when you want the unit to turn on automatically before you return home. The air conditioner will automatically start operating at the set time.

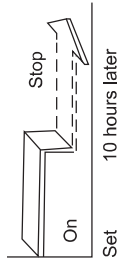
Example:

To start the air conditioner in 6 hours.

1. Press the TIMER ON button, the last setting of starting operation time and the signal "H" will show on the display area.
2. Press the TIMER ON button to display "6.0H" on the TIMER ON display of the remote controller.
3. Wait for 3 seconds and the digital display area will show the temperature again. The "TIMER ON" indicator remains on and this function is activated.

To set the Auto-off time.

1. Press the TIMER OFF button. The remote controller shows TIMER OFF, the last Auto-off setting time and the signal "H" will be shown on the LCD display area. Now it is ready to reset the Auto-off time to stop the operation.
2. Push the TIMER OFF button again to set desired Auto-off time. Each time you press the button, the time increases by half an hour between 0 and 10 hours and by one hour between 10 and 24 hours.
3. After setting the TIMER OFF, there will be a one second delay before the remote controller transmits the signal to the air conditioner. Then, after approximately another 2 seconds, the signal "H" will disappear and the set temperature will re-appear on the LCD display window.



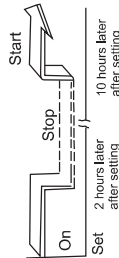
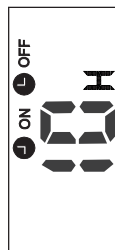
TIMER OFF (Auto-off Operation)

The TIMER OFF feature is useful when you want the unit to turn off automatically after you go to bed. The air conditioner will stop automatically at the set time.

Example:

To stop the air conditioner in 10 hours.

1. Press the TIMER OFF button, the last setting of stopping operation time and the signal "H" will show on the display area.
2. Press the TIMER OFF button to display "10H" on the TIMER OFF display of the remote controller.
3. Wait for 3 seconds and the digital display area will show the temperature again. The "TIMER OFF" indicator remains on and this function is activated.



COMBINED TIMER

(Setting both ON and OFF timers simultaneously)

TIMER OFF → TIMER ON

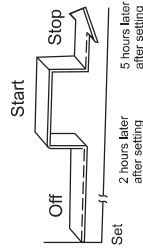
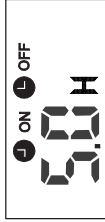
(On → Stop → Start operation)

This feature is useful when you want to stop the air conditioner after you go to bed, and start it again in the morning when you wake up or when you return home.

Example:

To stop the air conditioner 2 hours after setting and start it again 10 hours after setting.

1. Press the TIMER OFF button.
2. Press the TIMER OFF button again to display 2.0H on the TIMER OFF display.
3. Press the TIMER ON button.
4. Press the TIMER ON button again to display 10H on the TIMER ON display .
5. Wait for 3 seconds and the digital display area will show the temperature again. The "TIMER ON OFF" indicator remains on and this function is activated.



TIMER ON → TIMER OFF

(Off → Start → Stop operation)

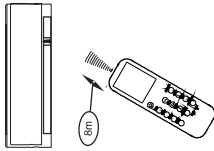
This feature is useful when you want to start the air conditioner before you wake up and stop it after you leave the house.

Example:

To start the air conditioner 2 hours after setting, and stop it 5 hours after setting.

1. Press the TIMER ON button.
2. Press the TIMER ON button again to display 2.0H on the TIMER ON display.
3. Press the TIMER OFF button.
4. Press the TIMER OFF button again to display 5.0H on the TIMER OFF display .
5. Wait for 3 seconds and the digital display area will show the temperature again. The "TIMER ON & TIMER OFF" indicator remains on and this function is activated.

Handling the remote controller

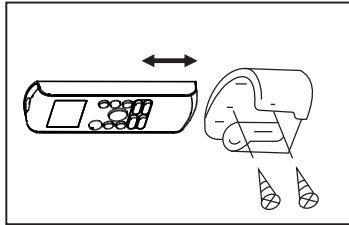


Location of the remote controller.

- Use the remote controller within a distance of 8 meters from the appliance, pointing it towards the receiver. Reception is confirmed by a beep.

CAUTIONS

- The air conditioner will not operate if curtains, doors or other materials block the signals from the remote controller to the indoor unit.
- Prevent any liquid from falling into the remote controller. Do not expose the remote controller to direct sunlight or heat.
- If the infrared signal receiver on the indoor unit is exposed to direct sunlight, the air conditioner may not function properly. Use curtains to prevent the sunlight from falling on the receiver.
- If other electrical appliances react to the remote controller, either move these appliances or consult your local dealer.
- Do not drop the remote controller. Handle with care.
- Do not place heavy objects on the remote controller, or step on it.



Using the remote controller holder(optional)

- The remote controller can be attached to a wall or pillar by using a remote controller holder(not supplied, purchased separately).
- Before installing the remote controller, check that the air conditioner receives the signals properly.
- Install the remote controller with two screws.
- For installing or removing the remote controller, move it up or down in the holder.

Replacing batteries

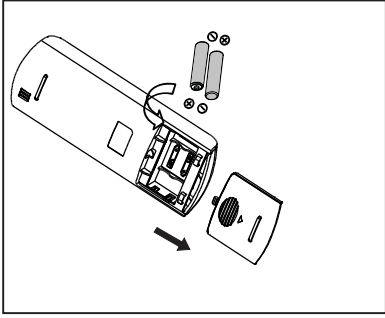
The following cases signify exhausted batteries. Replace old batteries with new ones.

- Receiving beep is not emitted when a signal is transmitted.
- Indicator fades away.

The remote controller is powered by two dry batteries (R03/LR03X2) housed in the back rear part and protected by a cover.

- (1) Remove the cover in the rear part of the remote controller.
- (2) Remove the old batteries and insert the new batteries, placing the(+) and (-) ends correctly.
- (3) Install the cover back on.

NOTE: When the batteries are removed, the remote controller erases all programming. After inserting new batteries, the remote controller must be reprogrammed.



CAUTIONS

- Do not mix old and new batteries or batteries of different types.
- Do not leave the batteries in the remote controller if they are not going to be used for 2 or 3 months.
- Do not dispose batteries as unsorted municipal waste. Collection of such waste separately for special treatment is necessary.

TABLE DES MATIÈRES

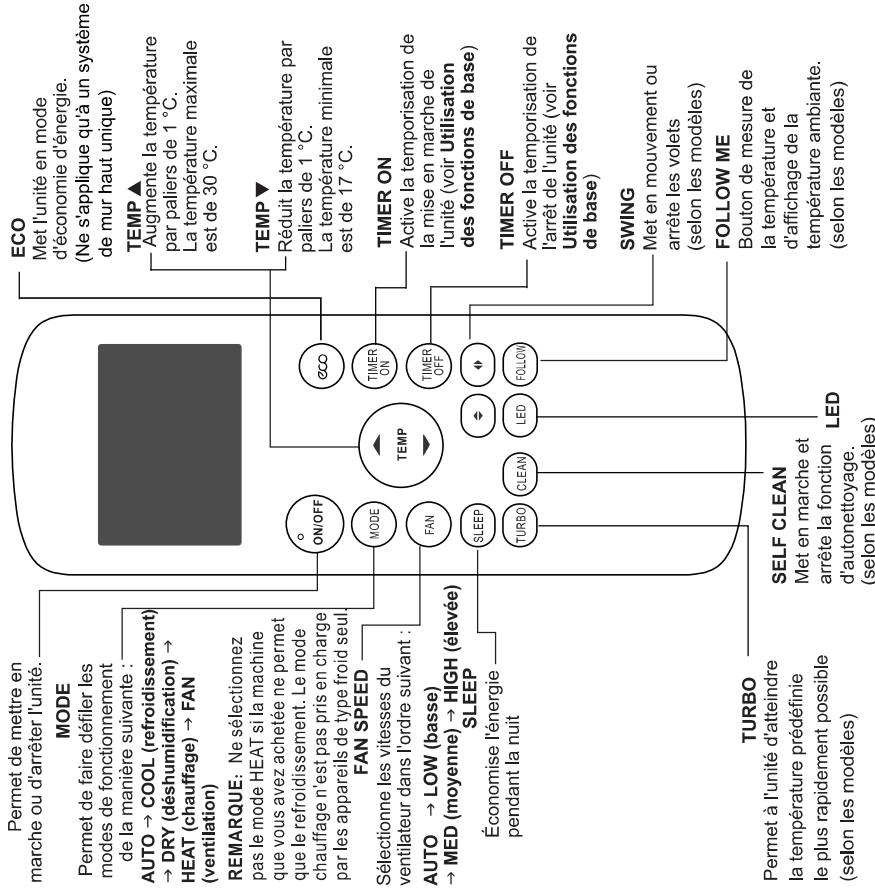
Caractéristiques de la télécommande	1
Boutons de fonction	3
Manipulation de la télécommande	4
Indicateurs de l'afficheur LCD	5
Utilisation des fonctions de base	6
Utilisation des fonctions avancées	13

Caractéristiques de la télécommande

Modèle	RG57A6/BGEFU1
Tension nominale	3,0 V (piles R03/LR03 x 2)
Plage de réception du signal	8 m
Environnement	-5°C ~ 60°C

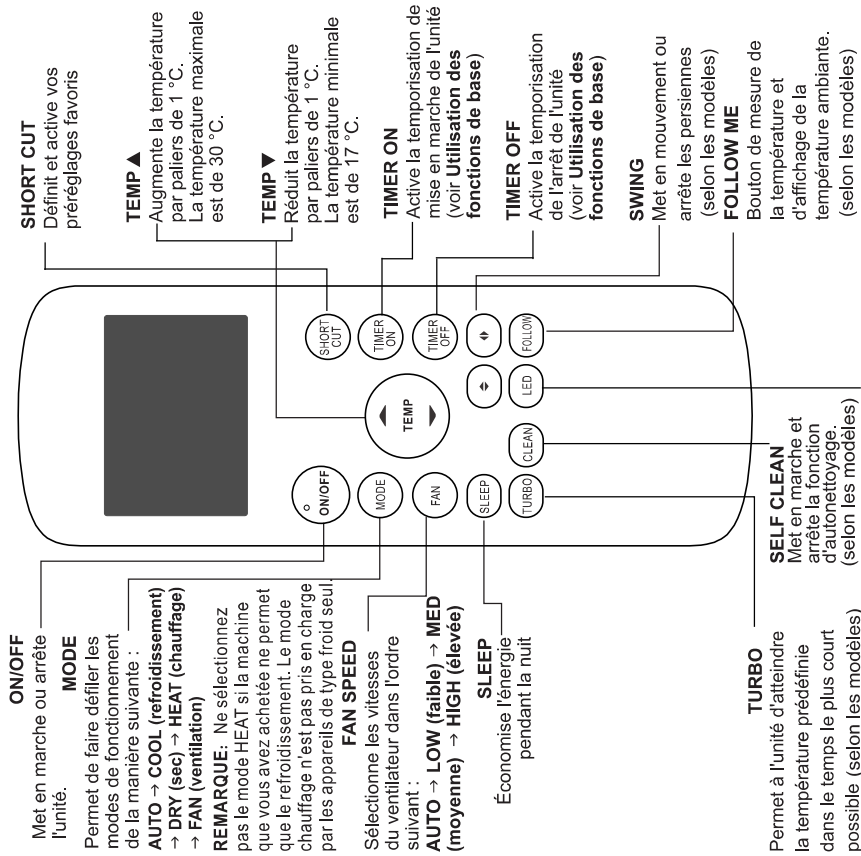
Boutons de fonction

Avant d'utiliser votre climatiseur, assurez-vous de vous familiariser avec sa télécommande. Cette page est une brève introduction à la télécommande elle-même. Pour savoir comment utiliser votre climatiseur, reportez-vous à la section Utilisation des fonctions de base dans ce manuel.



Boutons de fonction

Avant d'utiliser votre climatiseur, assurez-vous de vous familiariser avec sa télécommande. Cette page est une brève introduction à la télécommande elle-même. Pour savoir comment utiliser votre climatiseur, reportez-vous à la section **Utilisation des fonctions de base** dans ce manuel.



3

Manipulation de la télécommande

VOUS N'ÊTES PAS SÛR DE CE QUE FAIT UNE FONCTION ?

Reportez-vous aux sections **Utilisation des fonctions de base** et **Utilisation des fonctions avancées** de ce manuel pour une description détaillée de l'utilisation de votre climatiseur.

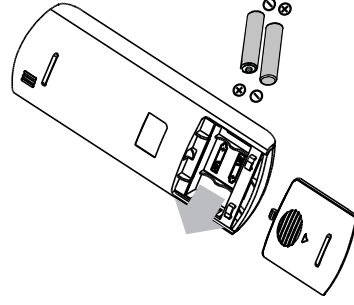
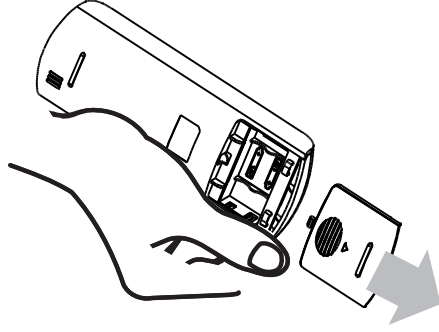
NOTE SPÉCIALE

- La disposition des boutons sur votre télécommande peut différer légèrement de l'illustration.
- Si l'appareil intérieur ne comporte pas de fonction particulière, ce bouton de la télécommande n'a aucun effet.
- En cas de différence importante dans la description de la fonction entre l'"Illustration de la télécommande" et le "Manuel d'utilisation", celle du "Manuel d'utilisation" prévaut.

Introduction et remplacement des piles

L'unité de climatisation est fournie avec deux piles AAA. Introduisez les piles dans la télécommande avant usage.

- Faites glisser le couvercle arrière de la télécommande vers le bas pour accéder au compartiment des piles.
- Introduisez les piles en veillant à faire correspondre leurs extrémités (+) et (-) avec les symboles à l'intérieur du compartiment.
- Remettez le couvercle des piles en place.



REMARQUES SUR LES PILES

- Pour des performances optimales du produit :
- Ne mélangez pas des piles neuves avec des piles anciennes ou des piles de types différents.
 - Ne laissez pas de piles à l'intérieur de la télécommande si vous prévoyez de ne pas utiliser l'appareil pendant plus de 2 mois.

ÉLIMINATION DES PILES USAGÉES

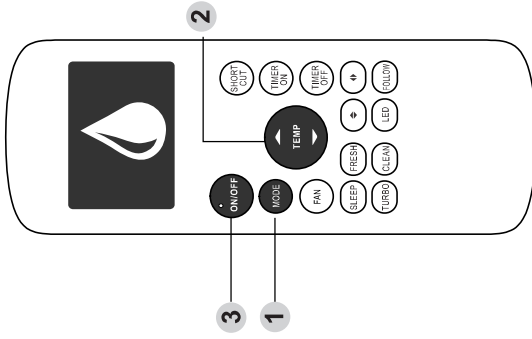
Ne jetez pas les piles avec les déchets ménagers non triés. Reportez-vous aux réglementations locales sur la mise au rebut des piles.

4

CONSEILS D'UTILISATION DE LA TÉLÉCOMMANDE

- La télécommande doit être utilisée dans un rayon de 8 mètres autour de l'unité.
- L'unité émet un son lorsqu'un signal de la télécommande est reçu.
- Les rideaux, d'autres matériaux et la lumière directe du soleil peuvent perturber le récepteur du signal infrarouge.
- Retirez les piles si la télécommande doit rester inutilisée pendant plus de 2 mois.

Utilisation des fonctions de base



Déshumidification

1. Appuyez sur le bouton **MODE** pour sélectionner le mode **DRY**.
2. Réglez la température souhaitée en appuyant sur le bouton **Temp** ◀ ou **Temp** ▶.
3. Appuyez sur le bouton **ON/OFF** pour mettre en marche l'unité.

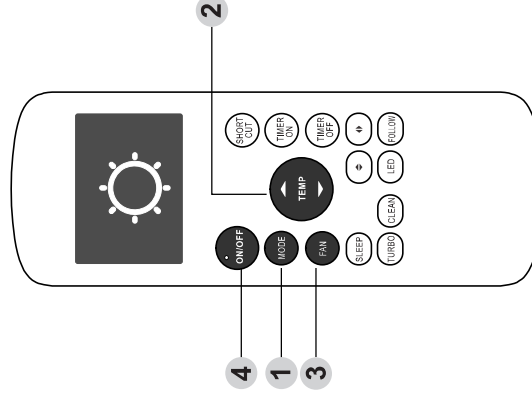
REMARQUE : le paramètre de vitesse du ventilateur **FAN SPEED** ne peut être réglé en mode **DRY**.

Fonctionnement du ventilateur

1. Appuyez sur le bouton **MODE** pour sélectionner le mode **FAN**.
2. Appuyez sur le bouton **FAN** pour sélectionner la vitesse du ventilateur : **AUTO**, **LOW**, **MED**, ou **HIGH**.
3. Appuyez sur le bouton **ON/OFF** pour mettre en marche l'unité.

REMARQUE : Il n'est pas possible de régler la température en mode **FAN**. Pour cette raison, l'afficheur LCD de la télécommande n'affichera pas la température.

Utilisation des fonctions de base



Chauffage

1. Appuyez sur le bouton **MODE** pour sélectionner le mode **HEAT**.
2. Réglez la température souhaitée en appuyant sur le bouton **Temp** ◀ ou **Temp** ▶.
3. Appuyez sur le bouton **FAN** pour sélectionner la vitesse du ventilateur : **AUTO**, **LOW**, **MED**, ou **HIGH**.
4. Appuyez sur le bouton **ON/OFF** pour mettre en marche l'unité.

REMARQUE : Les performances de la fonction **HEAT** de votre unité peuvent être affectées par une chute de la température extérieure. Dans ce cas, nous vous conseillons d'utiliser le climatiseur conjointement avec un chauffage d'appoint.

Réglage de la temporisation

Le climatiseur comporte deux fonctions liées à la temporisation :

- **TIMER ON** - définit la durée de temporisation après laquelle l'unité se met automatiquement en marche.
- **TIMER OFF** - définit la durée de temporisation après laquelle l'unité s'arrête automatiquement.

Fonction TIMER ON

La fonction **TIMER ON** vous permet de définir une période après laquelle l'unité se mettra automatiquement en marche, par exemple lorsque vous sortirez du travail.

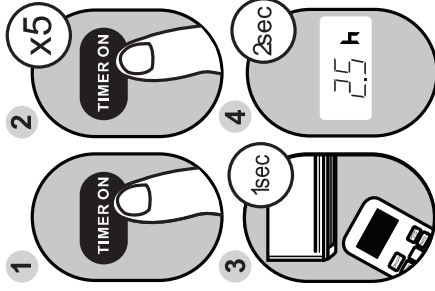
1. Appuyez sur le bouton **TIMER ON**. Par défaut, la dernière période définie s'affiche à l'écran suivie d'un "h" (indiquant les heures).

Note: Ce nombre indique la durée, à partir de l'heure en cours, au bout de laquelle vous souhaitez que l'unité se mette en marche.

Si, par exemple vous réglez **TIMER ON** sur 2 heures, "2.0h" s'affiche à l'écran et l'unité se mettra en marche dans 2 heures.

2. Appuyez à plusieurs reprises sur le bouton **TIMER ON** jusqu'à ce que la durée que vous souhaitez définir s'affiche.

3. Attendez 2 secondes pour que la fonction **TIMER ON** soit activée. L'afficheur numérique de votre télécommande revient alors à l'affichage de la température.



Exemple : Réglage de l'unité pour qu'elle se mette en marche au bout de 2,5 heures.

Fonction TIMER OFF

La fonction **TIMER OFF** vous permet de définir une période au bout de laquelle l'unité s'arrêtera automatiquement, par exemple lorsque vous vous réveillez.

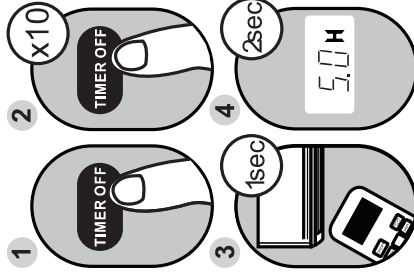
1. Appuyez sur le bouton **TIMER OFF**. Par défaut, la dernière période définie s'affiche à l'écran suivie d'un "h" (indiquant les heures).

Remarque : Ce nombre indique la durée, à partir de l'heure en cours, après laquelle vous souhaitez que l'unité s'arrête.

Si, par exemple vous réglez **TIMER OFF** sur 2 heures, "2.0h" s'affiche à l'écran et l'unité s'arrêtera dans 2 heures.

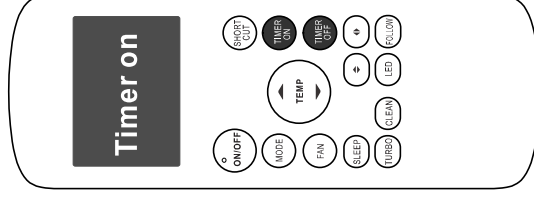
2. Appuyez à plusieurs reprises sur le bouton **TIMER OFF** jusqu'à ce que la durée que vous souhaitez définir s'affiche.

3. Attendez 2 secondes pour que la fonction **TIMER OFF** soit activée. L'afficheur numérique de votre télécommande revient alors à l'affichage de la température.



Exemple : Réglage de l'unité pour qu'elle s'arrête au bout de 5 heures.

REMARQUE: Lorsque vous réglez les fonctions **TIMER ON** ou **TIMER OFF** pour une durée inférieure ou égale à 10 heures, la durée augmente par paliers de 30 minutes à chaque appui sur le bouton. Entre 10 et 24 heures, elle augmente par paliers de 1 heure. La temporisation revient à zéro au bout de 24 heures. Vous pouvez désactiver les deux fonctions en réglant la temporisation sur "0.0h".

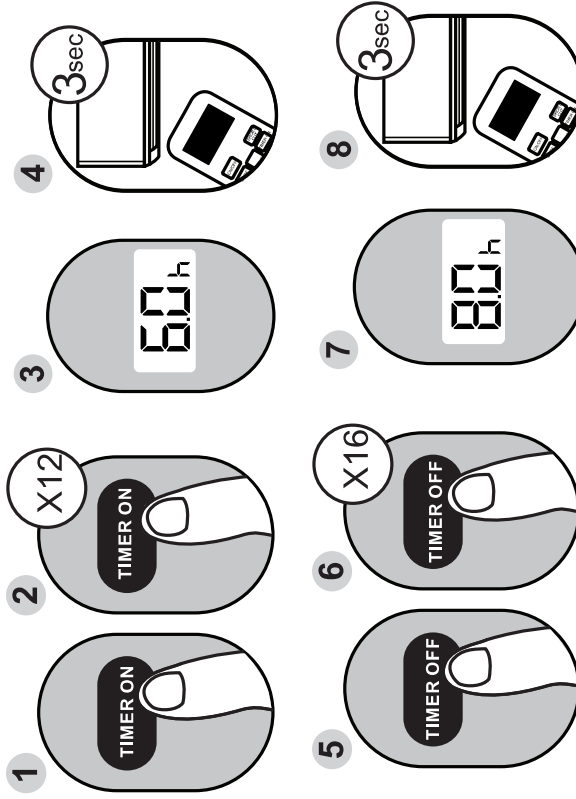


Continuez à appuyer sur **TIMER ON** ou sur **TIMER OFF** jusqu'à ce que la durée souhaitée s'affiche.

Réglage simultané de TIMER ON et de TIMER OFF

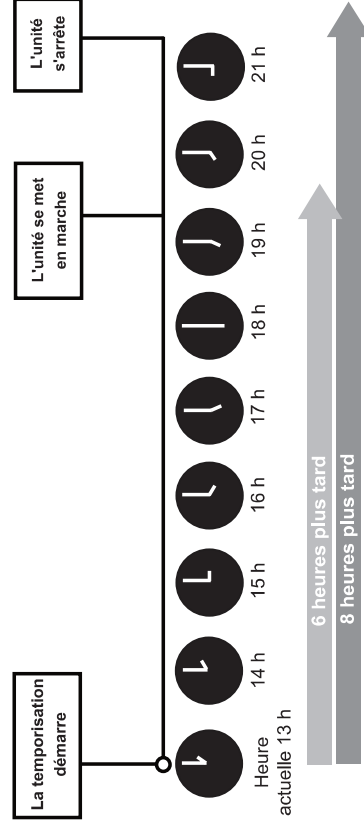
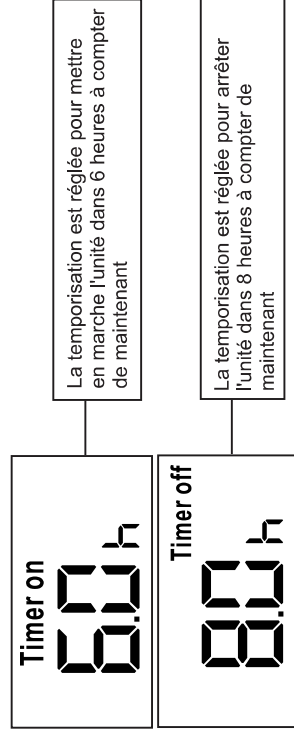
N'oubliez pas que les durées que vous définissez pour les deux fonctions s'appliquent à partir de l'heure en cours. Supposons, par exemple, qu'il soit 13:00 et que vous souhaitez mettre automatiquement en marche l'unité à 19:00. Vous voulez qu'elle fonctionne pendant 2 heures, puis qu'elle s'arrête automatiquement à 21:00.

Procédez comme suit :



Exemple : Réglage de l'unité pour qu'elle se mette en marche dans 6 heures, qu'elle fonctionne 2 heures, puis qu'elle s'arrête (Voir figure ci-dessous)

Votre télécommande



Utilisation des fonctions avancées

Fonction TURBO (selon les modèles)

La fonction TURBO enclenche toute la puissance disponible pour que la température désirée soit atteinte le plus rapidement possible.

- Lorsque vous appuyez sur le bouton **TURBO** en mode **COOL**, l'unité pulse de l'air froid à la vitesse la plus élevée pour lancer le plus rapidement possible le processus de refroidissement.
- Lorsque vous appuyez sur le bouton **TURBO** en mode **HEAT** (dans le cas d'unités dotées de résistances chauffantes), le réchauffeur électrique active et enclenche le mode chauffage.

Fonction d'auto-nettoyage SELF CLEAN (selon les modèles)

Les bactéries aéroporées peuvent se développer dans l'humidité qui se condense autour de l'échangeur thermique dans l'unité. Lors d'un usage régulier, la plupart de cette humidité s'évapore de l'unité. Si vous appuyez sur le bouton **CLEAN**, l'unité se nettoie automatiquement. Elle s'éteint ensuite automatiquement lorsque le nettoyage est terminé. Un appui sur le bouton **CLEAN** en cours de cycle met fin à l'opération et arrête l'unité.

Vous pouvez utiliser la fonction **CLEAN** aussi souvent que vous le souhaitez.

Remarque : Vous ne pouvez pas activer cette fonction dans les modes **COOL** et **DRY**.

Fonction FOLLOW ME (selon les modèles)

La fonction FOLLOW ME permet à la télécommande de mesurer la température à son emplacement même. Dans les modes **AUTO**, **COOL** et **HEAT**, une mesure de la température ambiante sur la télécommande et non sur l'appareil intérieur permet au climatiseur d'optimiser la température autour de vous et d'assurer un confort maximal.

1. Appuyez sur le bouton **FOLLOW ME** pour activer la fonction. La télécommande envoie le signal de température à l'appareil intérieur toutes les trois minutes.
2. Appuyez une nouvelle fois sur le bouton **FOLLOW ME** pour désactiver la fonction.

Utilisation des fonctions avancées

Fonction SHORTCUT

- Restaure les réglages en cours ou revient aux réglages précédents.
- Un appui sur ce bouton lorsque la télécommande fonctionne ramène automatiquement le système aux réglages antérieurs, y compris ceux du mode de fonctionnement, du réglage de température, du niveau de vitesse du ventilateur et de la fonction **SLEEP** si elle est activée.
- Un appui de plus de 2 secondes restaure automatiquement les réglages de fonctionnement en cours, y compris ceux de fonctionnement, du réglage de température, du niveau de vitesse du ventilateur et de la fonction **SLEEP** si elle est activée.

Fonction SWING

Bouton ◀ Swing (selon les modèles)

Sert à arrêter ou à démarrer le mouvement du volet vertical et à régler la direction gauche/droite du flux d'air. Le volet vertical modifie de 6° son angle à chaque appui sur le bouton. Un appui de plus de 2 secondes active la fonction de va-et-vient automatique de la persienne.

Bouton ▶ Swing

Sert à arrêter ou à démarrer le mouvement du volet horizontal et à régler la direction haut/bas du flux d'air. La persienne modifie de 6° son angle à chaque appui sur le bouton. Un appui de plus de 2 secondes entraîne un va-et-vient automatique de la persienne de haut en bas.

Fonction SLEEP

La fonction **SLEEP** sert à réduire l'énergie consommée pendant votre sommeil (pendant lequel votre confort ne nécessite pas les mêmes réglages de température). Cette fonction ne peut être activée que via la télécommande.

Remarque : La fonction **SLEEP** n'est pas disponible dans les modes **FAN** et **DRY**.

